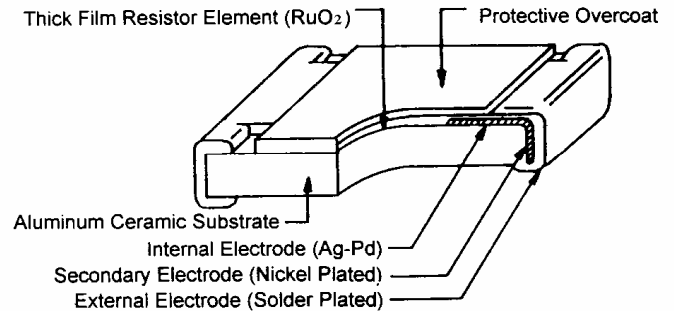
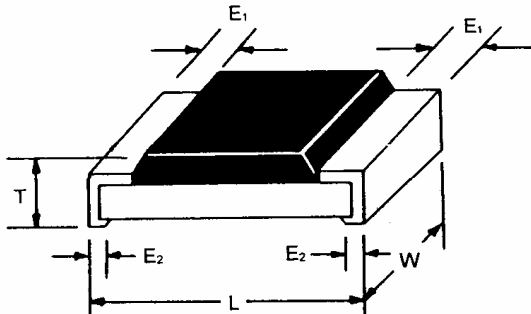




THICK FILM CHIP RESISTOR

FEATURES:

1. Subminiature
2. High stability and reliability
3. Suitable for both reflow and flow soldering
4. Easy to match with surface mounting machines and reduce assembly cost



DIMENSIONS:

(unit: mm)

TYPE	L	W	T	E1	E2
PR0402	1.00±0.10	0.50±0.05	0.35±0.05	0.20±0.10	0.25±0.10
PR0603	1.60±0.10	0.80±0.10	0.45±0.10	0.30±0.20	0.30±0.20
PR0805	2.00±0.10	1.25±0.10	0.50±0.10	0.40±0.20	0.40±0.20
PR1206	3.20±0.10	1.60±0.15	0.55±0.10	0.50±0.25	0.50±0.25
PR2512	6.35±0.10	3.20±0.15	0.55±0.10	0.60±0.25	0.50±0.20

PART NUMBER DESCRIPTION (for order booking)

PR1206	1/4W	1K	F	TR
Type	Rated Power	Resistance Value	Resistance Tolerance	Package
PR0402	1/16W	R47 – 0.47Ω	F= ±1%	TR – Tape and Reel
PR0603	1/10W	4R7 – 4.7Ω	J= ±5%	
PR0805	1/8W	100 – 100Ω		
PR1206	1/4W	1K – 1KΩ		
PR2512	1W	1M – 1MΩ		

SPECIFICATIONS:

TYPE	POWER RATING AT 70°C	MAX. WORKING VOLTAGE	MAX OVERLOAD VOLTAGE	OPERATING TEMP. RANGE	RESISTANCE RANGE	
					Tol.: F (±1%) (E-96 series)	Tol.: J (±5%) (E-24 series)
PR0402	1/16W	25V	50V	- 55°C ~ +125°C	100Ω ~ 100KΩ ±100ppm/°C	10Ω ~ 3.3MΩ ±200ppm/°C
PR0603	1/10W	50V	100V	- 55°C ~ +125°C	10Ω ~ 1MΩ ±50ppm/°C	1Ω ~ 10MΩ ±100ppm/°C
PR0805	1/8W	150V	300V	- 55°C ~ +125°C	10Ω ~ 1MΩ ±50ppm/°C	1Ω ~ 10MΩ ±100ppm/°C
PR1206	1/4W	200V	400V	- 55°C ~ +125°C	10Ω ~ 1MΩ ±50ppm/°C	1Ω ~ 10MΩ ±100ppm/°C
PR2512	1W	200V	400V	- 55°C ~ +125°C	10Ω ~ 1MΩ ±50ppm/°C	1Ω ~ 10MΩ ±100ppm/°C

Standard Resistance Values: E-24 & E-96 Series, Zero ohm resistor (<50mΩ)