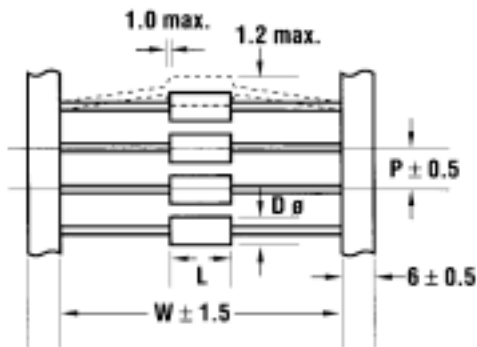




POLYSTYRENE FILM CAPACITOR

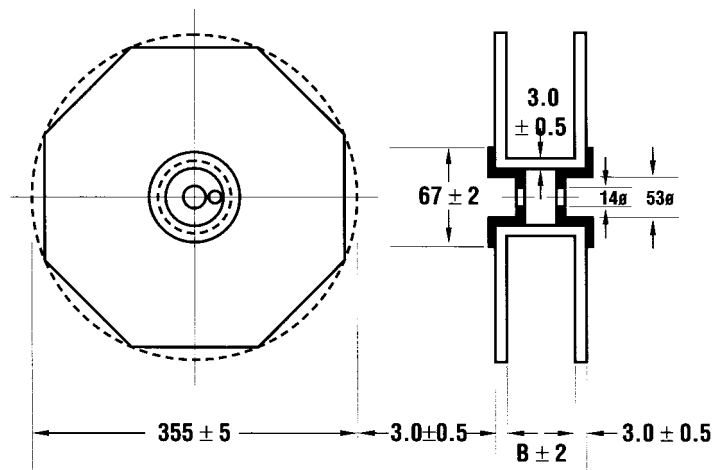
AXIAL LEADS TAPING SPECIFICATIONS:



CAPACITOR BODY DIAMETER	CAPACITOR PITCH
$D\phi \leq 5\text{mm}$	$P = 5\text{mm}$
$5\text{mm} > D\phi < 10\text{mm}$	$P = 10\text{mm}$

CAPACITOR BODY LENGTH	INSIDE TAPE SPACING
$L \leq 16.5\text{mm}$	$W = 52\text{mm}$
$16.5\text{mm} > L < 28.5\text{mm}$	$W = 63\text{mm}$

Reel Packing



Standard quantity per Reel: 4,000 pcs for $D \leq 5.0\text{mm}$
 2,000 pcs for $D = 5.1 \sim 7.0\text{mm}$
 1,000 pcs for $D = 7.1 \sim 9.5\text{mm}$

W: inside tape spacing	52	63
B: inside distance between flanges	70	82