



**LED**

**φ 10mm Round Diffuse LED**



**FEATURES:**

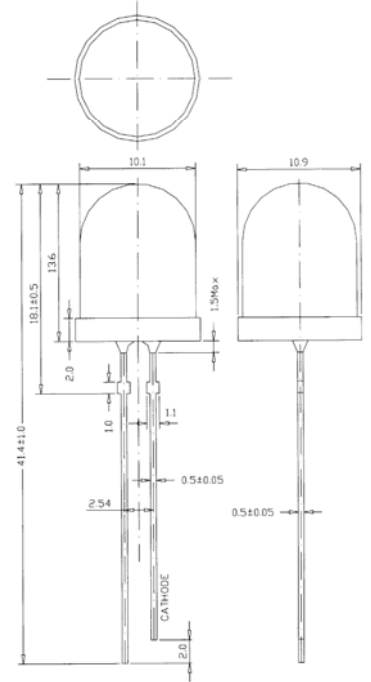
- Viewing angle 70°
- For LED light, Indication, illumination
- UV resistant epoxy

**Absolute Max Ratings (Ta=25°C):**

Parameter	Symbol	Value	
		Green / Blue	Red
Power Dissipation (mW)	PD	100	125
DC Forward Current (mA)	IF	30	50
Pulsed Forward Current* (mA)	IFP	100	150
Reverse Voltage (V)	VR	5	5
Operating Temperature (°C)	Topr	-30 ~ +80	
Storage Temperature (°C)	Tstg	-40 ~ +100	

\* Duty 1/10 Pulse Width 0.1ms

Dimensions (Unit: mm)



**Electrical Optical Characteristics (Ta=25°C):**

Part Number	Luminous Intensity (mcd)			Forward Voltage (V)			Dominant Wavelength (nm)			Reverse Current (μA)	
	Min	Max	IF(mA)	Type	Max	IF(mA)	Min	Max	IF(mA)	Max	VR(V)
R10URWK-01	400	520	20	2.0	2.2	20	620 625	625 630	20	5	5
R10UYWK-01	520	680	20	2.0	2.2	20	587 590 593	590 593 596	20	5	5
R10UOWK-01	400	520	20	2.0	2.2	20	600 605	605 610	20	5	5
R10BWK-01	240	400	20	3.2	3.6	20	465 470	470 475	20	10	5
R10FWK-01	880	1500	20	3.2	3.6	20	520 525	525 530	20	10	5
R10WDH-01	1150	1900	20	3.2	3.6	20	Typical .x=0.3 Typical .y=0.3		20	10	5

**Luminous Intensity Rank:**

Pls refer to standard Bin Grade in page LE-38

**Package:**

Bulk: 200 pcs/bag

**Precaution in handling:**

1. It is advised to keep 4.5mm minimum clearance between the resin and the soldering point when soldering.
2. The user is required to handle with care for the Blue, Green and White LED's which are sensitive to ESD.

**Directive Characteristics**

