



LED

φ5mm Hat shape LED

FEATURES:

- Viewing angle 80° / 120°
- For LED light, Indication, illumination
- UV resistant epoxy

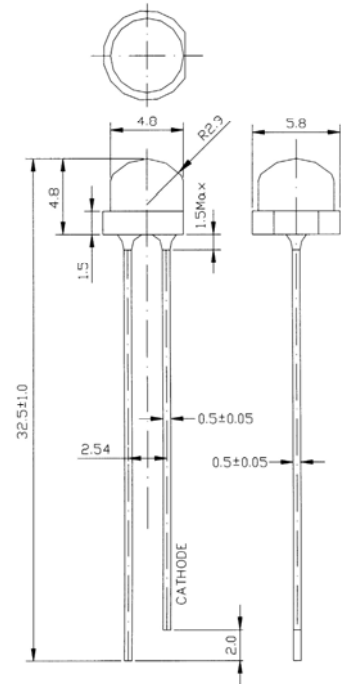


Absolute Max Ratings (Ta=25°C):

Parameter	Symbol	Value	
		Green / Blue	Red
Power Dissipation (mW)	PD	100	125
DC Forward Current (mA)	IF	30	50
Pulsed Forward Current* (mA)	IFP	100	150
Reverse Voltage (V)	VR	5	5
Operating Temperature (°C)	Topr	-30 ~ +80	
Storage Temperature (°C)	Tstg	-40 ~ +100	

* Duty 1/10 Pulse Width 0.1ms

Dimensions (Unit: mm)



Electrical Optical Characteristics (Ta=25°C):

Part Number	Luminous Intensity (mcd)			Forward Voltage (V)			Dominant Wavelength (nm)			Reverse Current (μA)	
	Min	Max	IF(mA)	Type	Max	IF(mA)	Min	Max	IF(mA)	Max	VR(V)
D05URDQ-01	140	240	20	2.0	2.2	20	620	625	20	5	5
							625	630			
D05UYDQ-01	240	400	20	2.0	2.2	20	587	590	20	5	5
							593	596			
D05UODQ-01	140	240	20	2.0	2.2	20	600	605	20	5	5
							605	610			
D05BDL-01	240	400	20	3.2	3.6	20	465	470	20	10	5
							470	475			
D05FDL-01	880	1500	20	3.2	3.6	20	520	525	20	10	5
							525	530			
D05WDL-01	680	1500	20	3.2	3.6	20	Typical .x=0.3		20	10	5
							Typical .y=0.3				

Luminous Intensity Rank:

Pls refer to standard Bin Grade in page LE-38

Package:

Bulk: 500 pcs/bag

Taping: 2,000 pcs/reel

Precaution in handling:

1. It is advised to keep 2.0mm minimum clearance between the resin and the soldering point when soldering.
2. The user is required to handle with care for the Blue, Green and White LED's which are sensitive to ESD.

Directive Characteristics

