



LED

φ5mm Round LED for Traffic Sign

FEATURES:

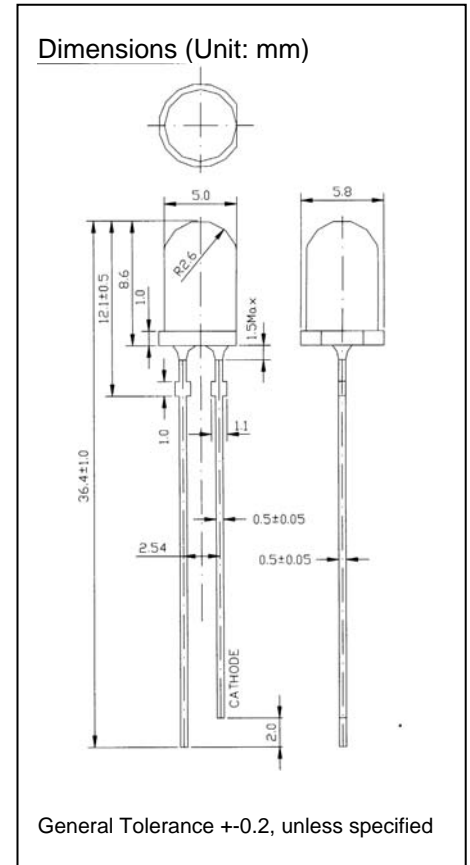
- Viewing angle 23°
- For LED Traffic Sign
- UV resistant epoxy



Absolute Max Ratings (Ta=25°C):

Parameter	Symbol	Value	
		Green / Blue	Red
Power Dissipation (mW)	PD	100	125
DC Forward Current (mA)	IF	30	50
Pulsed Forward Current* (mA)	IFP	100	150
Reverse Voltage (V)	VR	5	5
Operating Temperature (°C)	Topr	-30 ~ +80	
Storage Temperature (°C)	Tstg	-40 ~ +100	

* Duty 1/10 Pulse Width 0.1ms



Electrical Optical Characteristics (Ta=25°C):

Part Number	Luminous Intensity (mcd)			Forward Voltage (V)			Dominant Wavelength (nm)			Reverse Current (μA)	
	Min	Max	IF(mA)	Type	Max	IF(mA)	Min	Max	IF(mA)	Max	VR(V)
R05TRCD-S1	3200	5500	20	2.2	2.6	20	620	625	20	5	5
							625	630			
R05URCD-S3	2500	4200	20	2.0	2.2	20	620	625	20	5	5
							625	630			
R05TYCD-S1	3200	5500	20	2.2	2.6	20	587	590	20	5	5
							590	593			
R05UYCD-S1	4200	7200	20	2.0	2.2	20	587	590	20	5	5
							590	593			
R05HCD-S1	4200	7200	20	3.2	3.6	20	498	503	20	10	5
							503	508			

Luminous Intensity Rank:

Pls refer to standard Bin Grade in page LE-38

Package:

Bulk: 500 pcs/bag

Taping: 2,000 pcs/reel

Precaution in handling:

1. It is advised to keep 3.5mm minimum clearance between the resin and the soldering point when soldering.
2. The user is required to handle with care for the Bluish-Green LED's which are sensitive to ESD.

Directive Characteristics

