

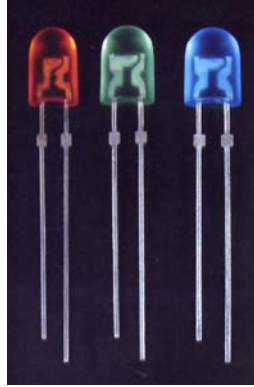


LED

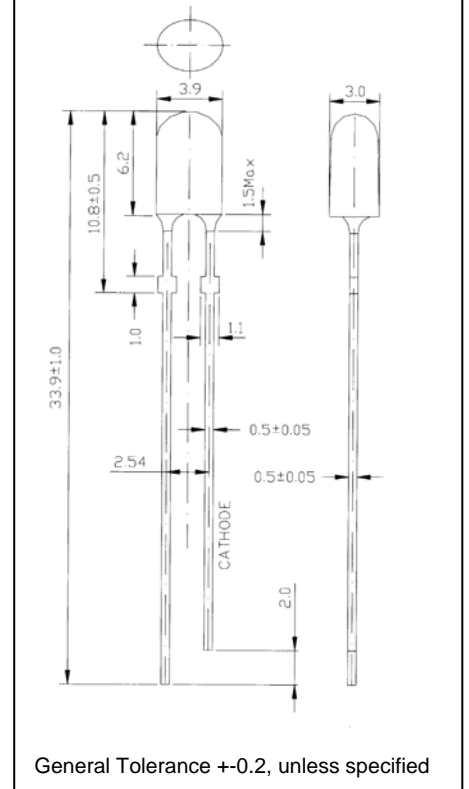
Full Color H54 Oval LED

FEATURES:

- Viewing angle 70° / 40°
- For LED Screen
- UV resistant epoxy



Dimensions (Unit: mm)



Absolute Max Ratings (Ta=25°C):

Parameter	Symbol	Value	
		Green / Blue	Red
Power Dissipation (mW)	PD	100	125
DC Forward Current (mA)	IF	30	50
Pulsed Forward Current* (mA)	IFP	100	150
Reverse Voltage (V)	VR	5	5
Operating Temperature (°C)	Topr	-30 ~ +80	
Storage Temperature (°C)	Tstg	-40 ~ +100	

* Duty 1/10 Pulse Width 0.1ms

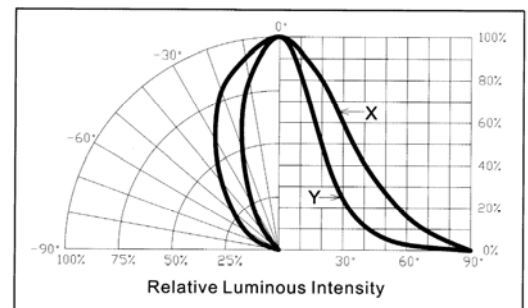
Electrical Optical Characteristics (Ta=25°C):

Part Number	Luminous Intensity (mcd)			Forward Voltage (V)			Dominant Wavelength (nm)			Reverse Current (μA)	
	Min	Max	IF(mA)	Type	Max	IF(mA)	Min	Max	IF(mA)	Max	VR(V)
H54URDK-S13	460	835	20	2.0	2.2	20	620	625	20	5	5
							625	630			
H54FDK-S1	1500	2650	20	3.2	3.6	20	520	525	20	10	5
							525	530			
H54BDK-S1	400	720	20	3.2	3.6	20	465	470	20	10	5
							470	475			

Luminous Intensity Rank (mcd)

Red		Green		Blue	
Rank	Data	Rank	Data	Rank	Data
F1	460-620	K1	1500-2000	F	400-535
G	535-720	L	1750-2300	F1	460-620
G1	620-835	L1	2000-2650	G	535-720

Directive Characteristics



Package:

Bulk: 500 pcs/bag

Taping: 2,000 pcs/reel

Precaution in handling:

1. It is advised to keep 4.0mm minimum clearance between the resin and the soldering point when soldering.
2. The user is required to handle with care for the Blue and Green LED's which are sensitive to ESD.