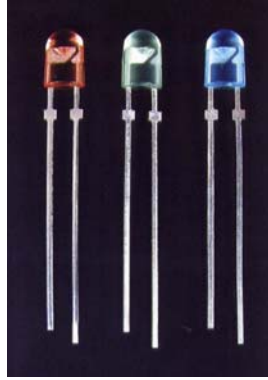




**LED**

## Full Color H35 Oval LED



### FEATURES:

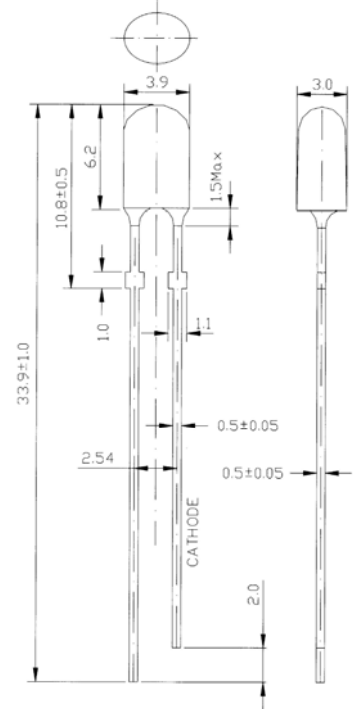
- Viewing angle 70° / 40°
- For LED Screen
- UV resistant epoxy

### Absolute Max Ratings (Ta=25°C):

Parameter	Symbol	Value	
		Green / Blue	Red
Power Dissipation (mW)	PD	100	125
DC Forward Current (mA)	IF	30	50
Pulsed Forward Current* (mA)	IFP	100	150
Reverse Voltage (V)	VR	5	5
Operating Temperature (°C)	Topr	-30 ~ +80	
Storage Temperature (°C)	Tstg	-40 ~ +100	

\* Duty 1/10 Pulse Width 0.1ms

Dimensions (Unit: mm)



General Tolerance +0.2, unless specified

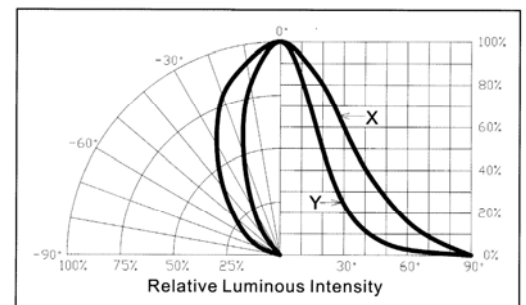
### Electrical Optical Characteristics (Ta=25°C):

Part Number	Luminous Intensity (mcd)			Forward Voltage (V)			Dominant Wavelength (nm)			Reverse Current (μA)	
	Min	Max	IF(mA)	Type	Max	IF(mA)	Min	Max	IF(mA)	Max	VR(V)
H35URDK-S1	620	1120	20	2.0	2.2	20	620	625	20	5	5
							625	630			
H35FDK-S1	1500	2650	20	3.2	3.6	20	520	525	20	10	5
							525	530			
H35BDK-S1	350	620	20	3.2	3.6	20	465	470	20	10	5
							470	475			

### Luminous Intensity Rank (mcd)

Red		Green		Blue	
Rank	Data	Rank	Data	Rank	Data
G	620-835	K1	1500-2000	E1	350-460
H	720-970	L	1750-2300	F	400-535
H1	835-1120	L1	2000-2650	F1	460-620

### Directive Characteristics



### Package:

Bulk: 500 pcs/bag

Taping: 3,000 pcs/reel

### Precaution in handling:

1. It is advised to keep 4.5mm minimum clearance between the resin and the soldering point when soldering.
2. The user is required to handle with care for the Blue and Green LED's which are sensitive to ESD.