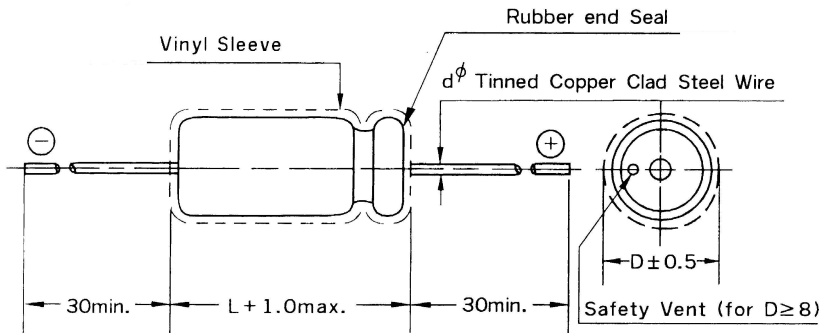




ALUMINUM ELECTROLYTIC CAPACITOR

TYPE TT

MINIATURE STANDARD SIZE, AXIAL LEADS FOR HIGH OPERATING TEMPERATURE USE



Dimension in mm

D	6	8	10	13	16	18
d	0.6	0.6	0.6	0.6	0.8	0.8

CASE SIZE (DxL mm) AND PERMISSIBLE RIPPLE CURRENT (mA rms, at 105 120 Hz):

W.V.	6.3V		10V		16V		25V		35V		50V		63V		100V	
μ F	DxL	R.C.	DxL	R.C.	DxL	R.C.	DxL	R.C.	DxL	R.C.	DxL	R.C.	DxL	R.C.	DxL	R.C.
0.47											6x13	6	6x13	9	6x13	9
1.0											6x13	10	6x13	15	6x13	15
2.2											6x13	20	6x13	25	6x13	25
3.3											6x13	25	6x13	30	6x13	35
4.7											6x13	30	6x13	35	6x13	35
10									6x13	50	6x13	50	6x13	55	6x16	60
22					6x13	60	6x13	60	6x13	70	6x16	80	6x16	90	8x16	105
33					6x13	70	6x13	75	6x16	95	6x16	105	8x16	120	8x20	150
47	6x13	60	6x13	75	6x13	90	6x13	95	6x16	110	8x16	140	8x16	160	10x20	180
100	6x13	110	6x16	120	6x16	145	8x16	165	8x16	180	8x20	225	10x16	245	10x25	285
220	6x16	170	8x16	185	8x16	230	8x20	245	10x18	305	10x20	345	13x25	420	13x30	455
330	8x16	235	8x16	250	8x20	320	10x16	345	10x20	390	10x25	450	13x25	495	16x30	580
470	8x16	280	8x20	300	10x16	385	10x20	430	10x25	490	13x25	560	13x30	630	16x40	710
1000	10x20	450	10x20	485	10x25	565	13x25	660	13x30	720	16x30	875	16x40	890	18x40	1095
2200	13x25	740	13x25	790	13x30	925	16x30	1020	16x40	1145	18x40	1405				
3300	13x27	905	13x35	1015	16x30	1170	16x40	1300	18x40	1175						
4700	13x30	1165	13x35	1250	16x40	1440	18x40	1635								