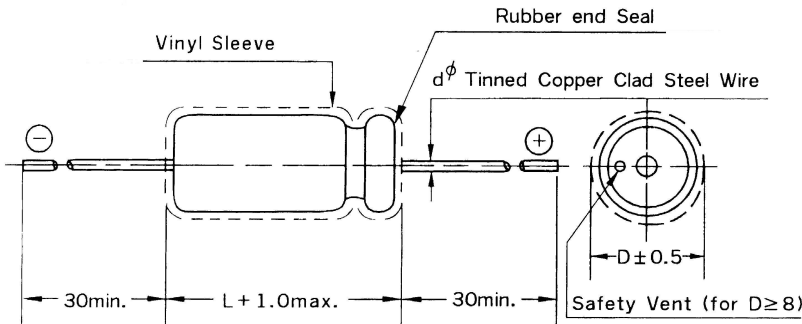


## TYPE TH

### HIGH VOLTAGE, AXIAL LEADS



Dimensions in mm

D	6	8	10	13	16	18	22
d	0.6	0.6	0.6	0.6	0.8	0.8	0.8

### CASE SIZE (DxL mm) AND PERMISSIBLE RIPPLE CURRENT (mA rms, at 85 120 Hz):

W.V.		160V		200V		250V		350V		400V		450V	
μ F	DxL	R.C.	DxL	R.C.	DxL	R.C.	DxL	R.C.	DxL	R.C.	DxL	R.C.	
1.0	6x16	6	6x16	8	6x16	11	8x16	12	8x16	13	8x16	14	
2.2	6x16	14	6x16	15	8x16	16	8x16	18	8x20	19	8x20	20	
3.3	8x16	20	8x16	25	8x16	29	8x20	32	10x20	34	10x20	35	
4.7	8x16	30	8x16	32	8x20	37	10x20	43	10x25	44	10x25	45	
10	8x20	59	8x20	65	10x16	71	10x20	76	10x25	79	13x21	82	
22	10x20	120	10x20	120	10x25	125	13x21	135	13x25	138	13x30	142	
33	10x25	153	10x25	166	13x21	158	13x25	176	13x30	185	16x30	200	
47	13x21	197	13x25	214	13x25	221	13x30	243	16x30	320	16x33	401	
100	13x30	344	16x30	267	16x33	341	16x40	380	18x40	410	22x40	628	
220	16x30	580	16x40	595	18x40	610	22x40	630					
330	18x40	612	22x41	623									