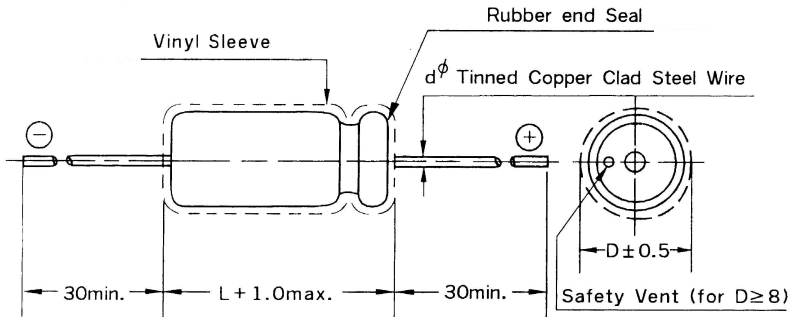




ALUMINUM ELECTROLYTIC CAPACITOR

TYPE T, TF

MINIATURE STANDARD SIZE, AXIAL LEADS



Dimension in mm

D	6	8	10	13	16	18	22
d	0.6	0.6	0.6	0.6	0.8	0.8	0.8

CASE SIZE (DxL mm) AND PERMISSIBLE RIPPLE CURRENT (mA rms, at 85 120 Hz):

W.V.	6.3V		10V		16V		25V		35V		50V		63V		100V		
	μ F	DxL	R.C.	DxL	R.C.	DxL	R.C.	DxL	R.C.	DxL	R.C.	DxL	R.C.	DxL	R.C.	DxL	R.C.
0.47												6x13	6	6x13	9	6x13	9
1.0												6x13	10	6x13	15	6x13	15
2.2												6x13	20	6x13	30	6x13	32
3.3												6x13	30	6x13	36	6x13	41
4.7												6x13	42	6x13	44	6x13	50
10							6x13	50	6x13	55	6x13	65	6x13	68	6x16	72	
22						6x13	71	6x13	76	6x13	88	6x16	96	6x16	109	8x16	133
33	6x13	58	6x13	78	6x13	88	6x13	100	6x16	115	6x16	126	8x16	154	8x20	190	
47	6x13	87	6x13	94	6x13	111	6x13	119	6x16	138	8x16	174	8x16	214	10x20	237	
100	6x13	136	6x16	145	6x16	174	8x16	215	8x16	232	8x20	296	10x16	326	10x25	377	
220	8x16	215	8x16	231	8x16	298	8x20	319	10x16	401	10x20	459	10x25	527	13x30	625	
330	8x16	305	8x16	327	8x20	365	10x16	454	10x20	514	10x25	613	13x25	675	16x30	730	
470	8x16	364	8x20	390	10x16	460	10x20	542	10x25	613	13x25	731	13x30	780	16x40	942	
1000	10x20	617	10x20	662	10x25	775	13x25	873	13x30	955	16x30	1111	16x40	1249			
2200	13x25	929	13x25	1051	13x30	1125	16x30	1344	16x40	1421	18x43	1699	22x41	2115			
3300	13x27	1150	13x32	1288	16x30	1454	16x33	1611	16x40	1640	22x41	2027					