



TRANSIENT/SURGE ABSORBER TRANSIENT VOLTAGE SURGE SUPPRESSORS

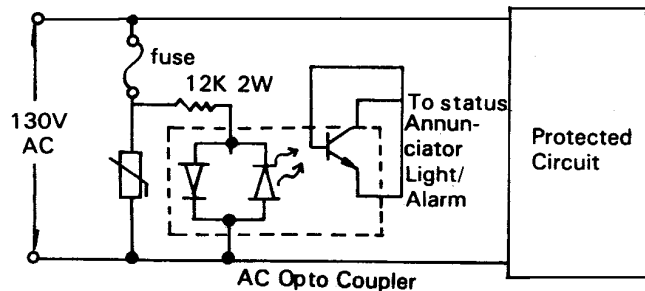
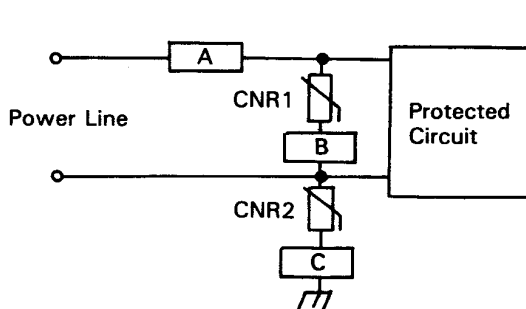
Application examples

Protected circuit	Location	Part Number
Home Appliances	Indoor	CNR-05D□□□K
		CNR-07D□□□K
		CNR-10D□□□K
	Outdoor	CNR-10D□□□K
		CNR-14D□□□K
		CNR-20D□□□K
Consumer Industrial	Indoor, Outdoor	CNR-14D□□□K CNR-20D□□□K

Protected circuit	Location	Part Number
Communications Measurements Controls	Indoor	CNR-07D□□□K
		CNR-10D□□□K
		CNR-14D□□□K
	Outdoor	CNR-10D□□□K
		CNR-14D□□□K
		CNR-20D□□□K

CAUTION:

1. A surge excess of the specific Maximum Peak Current may cause short circuit or mechanical damage. The following measures are recommended.



- a) Location of the over current protector(circuit breaker or current fuse) shall be in the power line to the circuit (Location A) or in series with CNR (Location B).

Part No.	CNR-05D□□□K	CNR-07D□□□K	CNR-10D□□□K	CNR-14D□□□K	CNR-20D□□□K
Fuse rating	1 to 2 A	2 to 3 A	3 to 5 A	3 to 10A	5 to 15 A

- b) It is recommended that a fuse listed in the table shall be put in location A or B.
 - c) In case that CNR is used in line to ground, the ground fault circuit interrupter shall be applied in locate A or thermally coupled fuse shall be applied in location C.
 - d) Fuse mounted Type K or Type P are available for CNR 1 and CNR 2 applications.
 - e) CNR shall not be used near the flammable materials.
2. When CNR is molded at enclosure, molding resin materials shall be carefully selected, otherwise CNR's long term stability could degrade.
 3. CNR shall not be used near heat generating device and free from direct sunlight. CNR shall be used with in the specified Operating Temperature Range.
 4. CNR shall be free from dust, metal powder, dew and sea wind. A protective box is recommended to prevent the unit from those.