

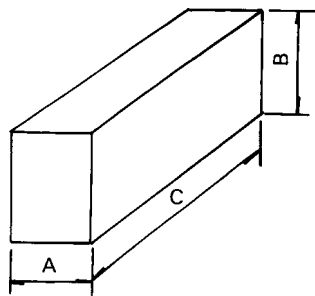


TRANSIENT/SURGE ABSORBER TRANSIENT VOLTAGE SURGE SUPPRESSORS

PACKAGING SPECIFICATIONS:

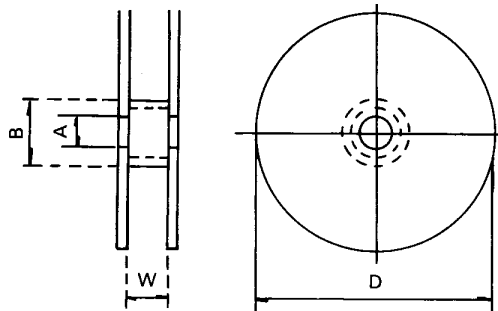
Unit: mm

BOX



Series	05D	07D	10D
A	55 max.		
B	330 max.		
C	340 max.		

REEL



Series	05D	07D	10D	14D
W	Approx. 45			55
D	360 max.			
A	Approx. § 30			
B	Approx. § 90			

Taping quantities:

Series	Tape Box	Tape Reel
	Straight Lead, Kinked Lead	Straight Lead, Kinked Lead
05D180K~05D271K	2,000 pcs	2,000 pcs
05D301K~05D471K	1,500 pcs	1,500 pcs
07D180K~07D271K	2,000 pcs	2,000 pcs
07D301K~07D471K	1,500 pcs	1,500 pcs
10D180K~10D271K	1,500 pcs	1,500 pcs
10D301K~10D471K	1,000 pcs	1,000 pcs
14D180K~14D271K	----	1,000 pcs
14D301K~14D471K	----	800 pcs